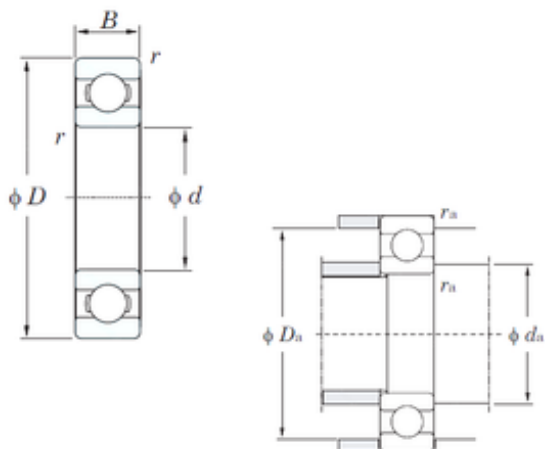




China Abec 9 Bearing Supplier



6300 Bearing 2D drawings and 3D CAD models

Motorcycle Bearing 6300 & 6301 SKF NSK NTN Koyo Timken

Bearing No. 6300

Size	10x35x11 mm
Bore Diameter	10 mm
Outer Diameter	35 mm
Width	11 mm
d	10 mm
D	35 mm
B	11 mm
C	11 mm
r min.	0,6 mm
da min.	14 mm
Da max.	31 mm
ra max.	0,6 mm
Weight	0,053 Kg
Basic dynamic load rating (C)	8,1 kN
Basic static load rating (C0)	3,45 kN
(Grease) Lubrication Speed	22000 r/min
(Oil) Lubrication Speed	27000 r/min
Category	Single Row Ball Bearings
Inventory	0.0
Manufacturer Name	KOYO
Minimum Buy Quantity	N/A
Weight / Kilogram	0.058
Product Group	B00308
Enclosure	Open
Precision Class	ABEC 1 ISO P0



China Abec 9 Bearing Supplier

Maximum Capacity / Filling Slot	No
Rolling Element	Ball Bearing
Snap Ring	No
Internal Special Features	No
Cage Material	Steel
Internal Clearance	C0-Medium
Inch - Metric	Metric
Long Description	10MM Bore; 35MM Outside Diameter; 11MM Outer Race Width; Open; Ball Bearing; ABEC 1 ISO P0; No Filling Slot; No Snap Ring; No Internal Special Features; C0-Medium Internal Clearance; Steel Cage
Other Features	Deep Groove
Category	Single Row Ball Bearing
UNSPSC	31171504
Harmonized Tariff Code	8482.10.50.68
Noun	Bearing
Keyword String	Ball
Manufacturer URL	http://www.koyousa.com
Weight / LBS	0.11684
Outer Race Width	0.433 Inch 11 Millimeter
Bore	0.394 Inch 10 Millimeter
Outside Diameter	1.378 Inch 35 Millimeter
Inner Race Width	0 Inch 0 Millimeter
Bearing No.	6300
r(min)	0.6
Cr	10.1
C0r	3.45
Cu	0.270
f0	11.2



China Abec 9 Bearing Supplier

Grease lub.	22000
Oil lub.	27000
da(min)	14
Da(max)	31
ra(max)	0.6
(Refer.)Mass(kg)	0.053